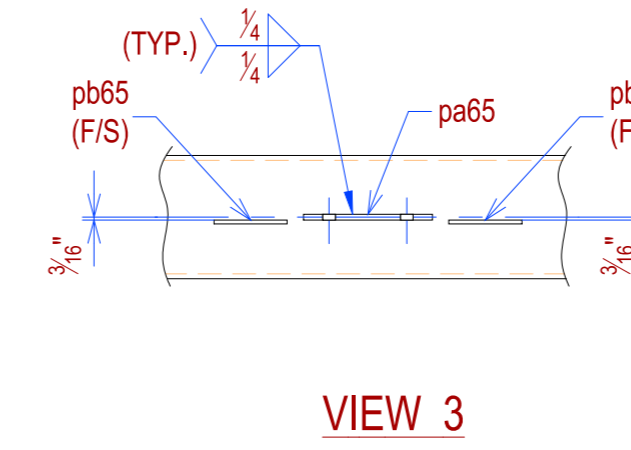
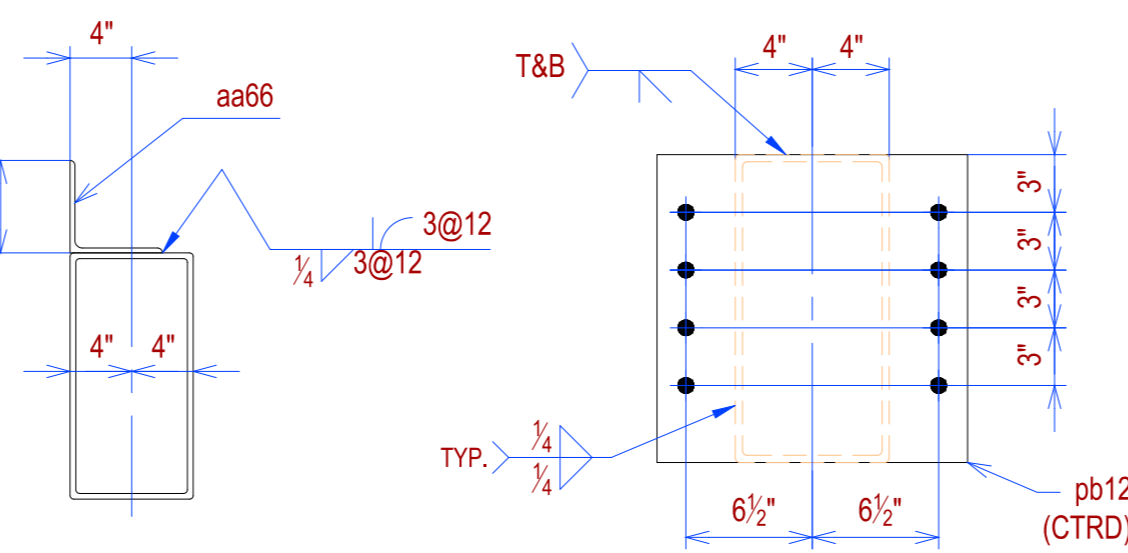
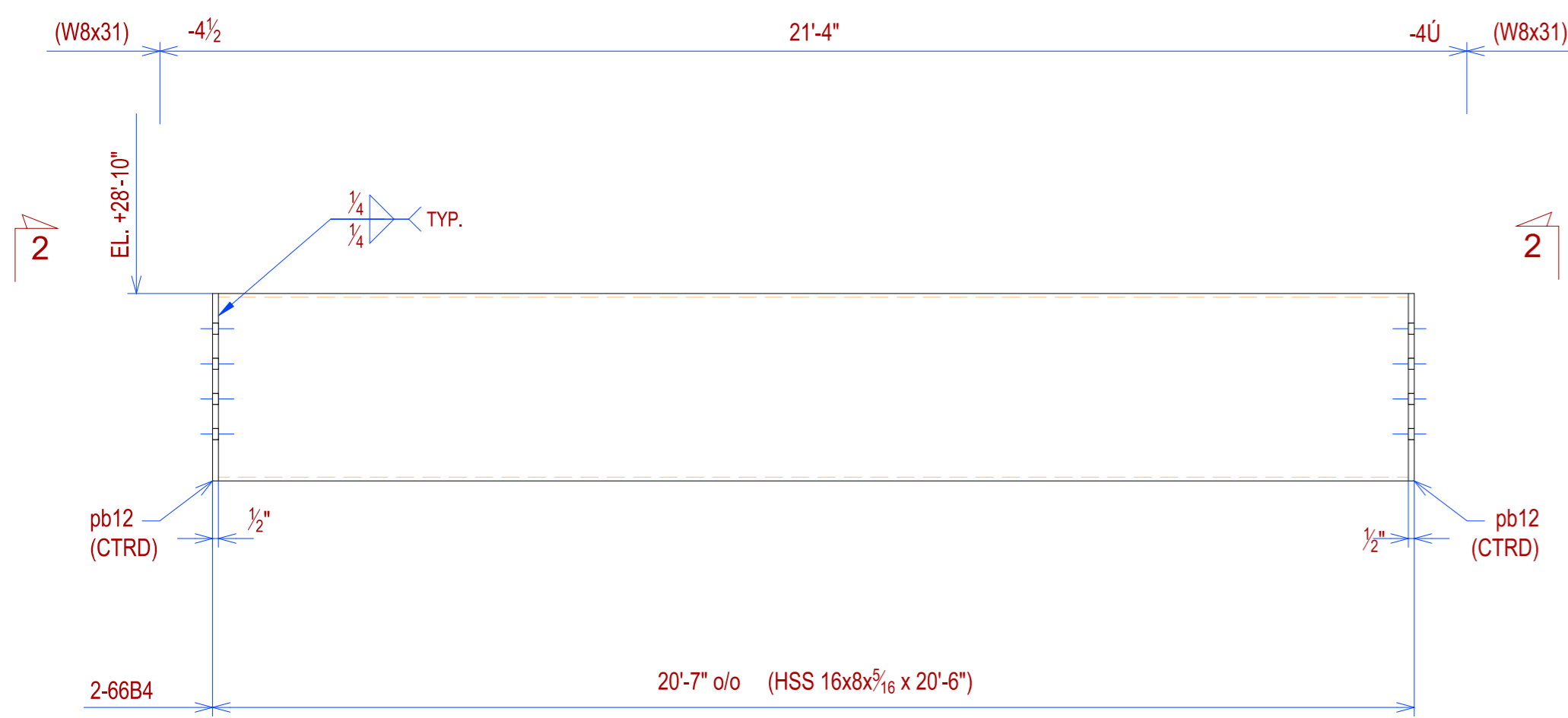
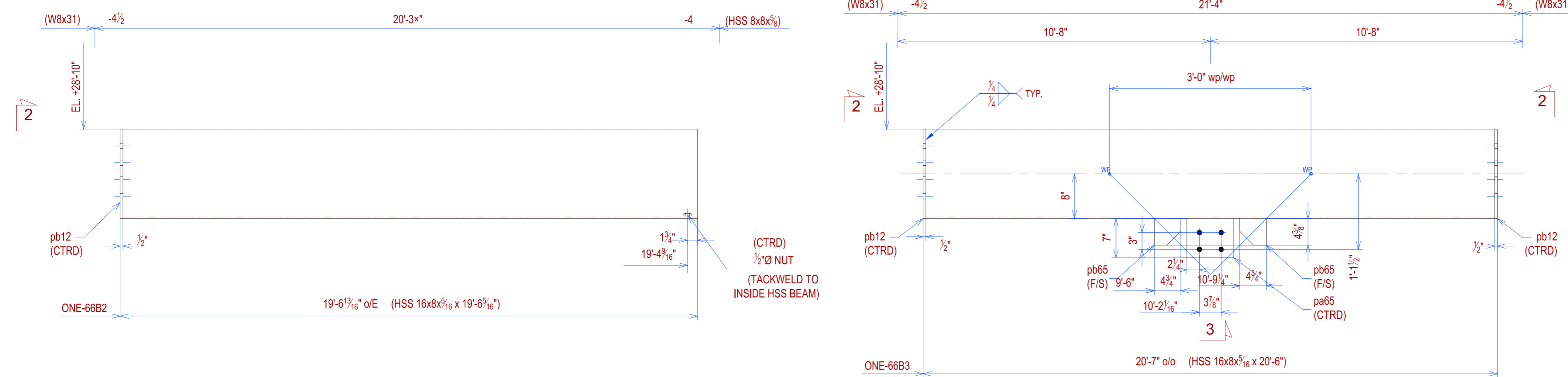
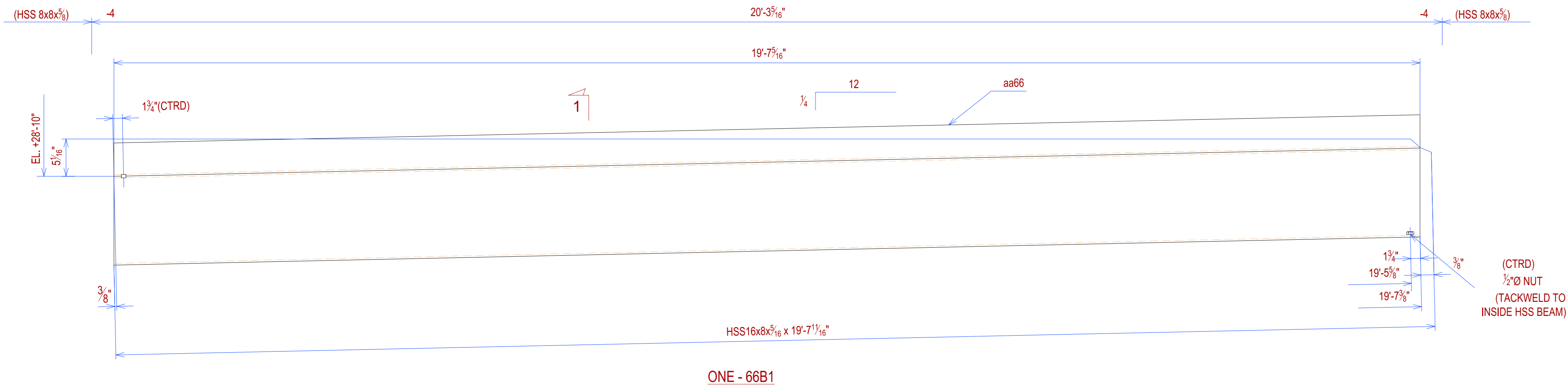


BILL OF MATERIAL

REQ'D	SHIP MARK	PIECE MARK	NO. REQ'D	MATERIAL	LENGTH		REMARKS	ORD.
					FT	IN		
ONE	66B1		1	HSS16x8x $\frac{5}{16}$	19	7 $\frac{1}{16}$	A500 B	
		aa66	1	L 6x6x $\frac{5}{16}$	19	7 $\frac{3}{8}$		
ONE	66B2		1	HSS16x8x $\frac{5}{16}$	19	6 $\frac{5}{16}$	A500 B	
		pb12	1	PL- $\frac{1}{2}$ x16	1	4		
ONE	66B3		1	HSS16x8x $\frac{5}{16}$	20	6	A500 B	
		pb12	2	PL- $\frac{1}{2}$ x16	1	4		
		pa65	1	PL- $\frac{3}{8}$ x7	0	8 $\frac{3}{8}$		
		pb65	2	PL- $\frac{1}{2}$ x4 $\frac{3}{8}$	0	4 $\frac{3}{8}$		
2	66B4		1	HSS16x8x $\frac{5}{16}$	20	6	A500 B	
		pb12	2	PL- $\frac{1}{2}$ x16	1	4		



FIELD BOLTS					
40 - $\frac{1}{2}$ ϕ A325N x 2 1/2					

PAIN	ONE SHOP COAT UNNOTED				FOR FAB.
MATER	A36 UNNOTED				4th APPVL
HOLES	13/16 UNNOTED				3rd APPVL
ELECTRODES	E70XX				2nd APPVL
TOTAL WEIGHT		NO. DATE	DESCRIPTION	NO. DATE	DESCRIPTION
SC	BC	BCSC	REVISIONS		DATE
ISSUE					

CUSTOMER:					
DRAFTER	PROJECT:				CONTRACT NO
DATE	LOCATION:				
CHECKED	DWG TITLE:	BEAMS			DWG NO
DATE					