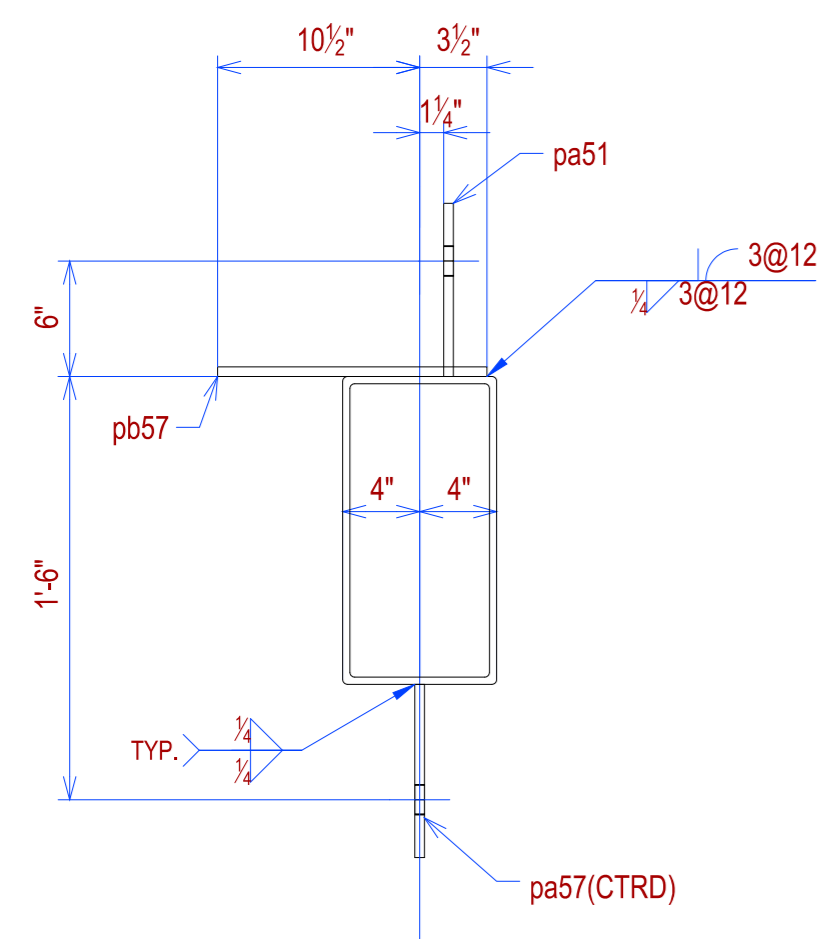
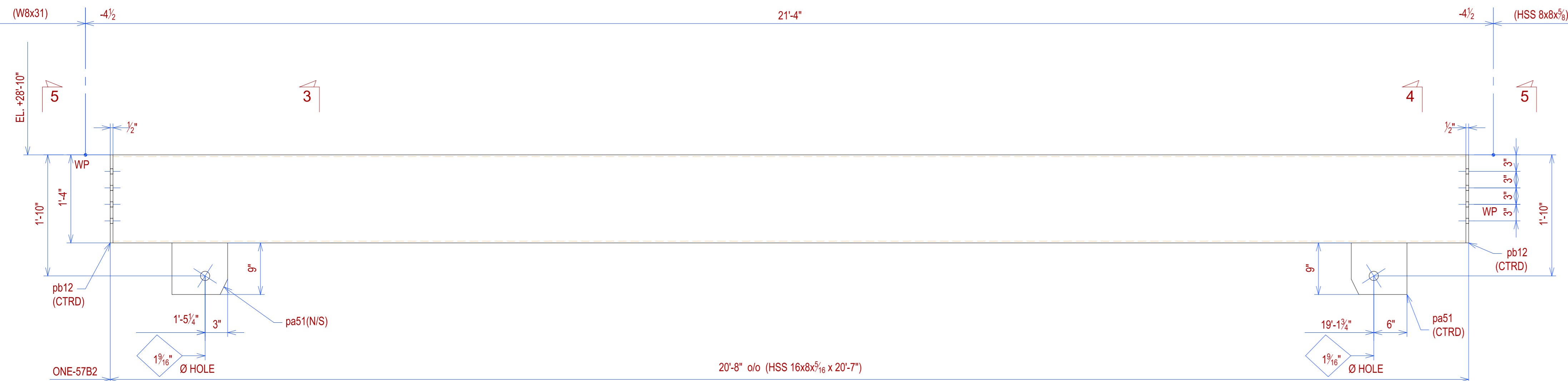
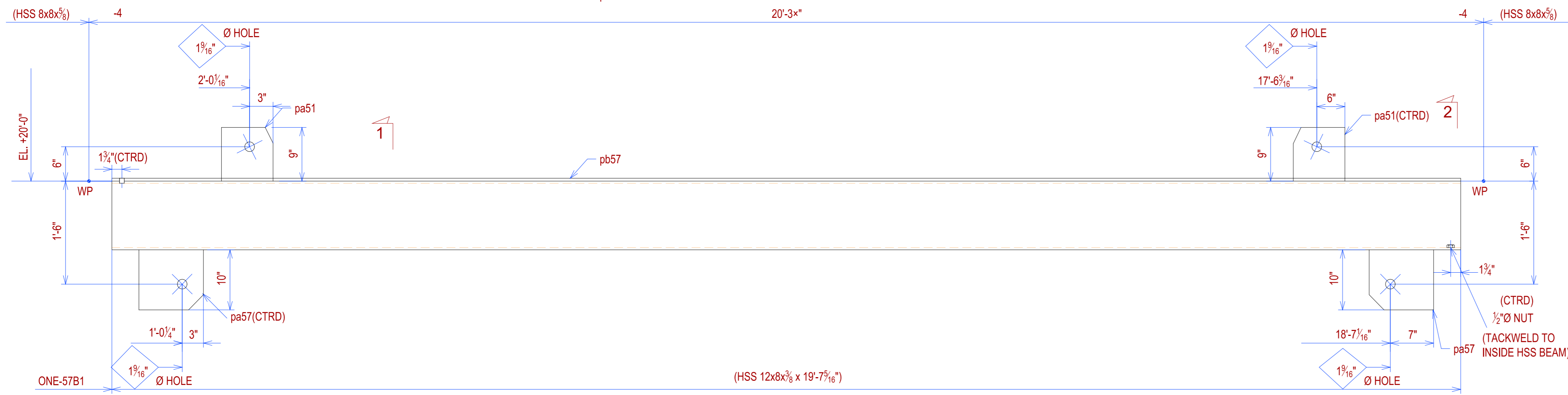
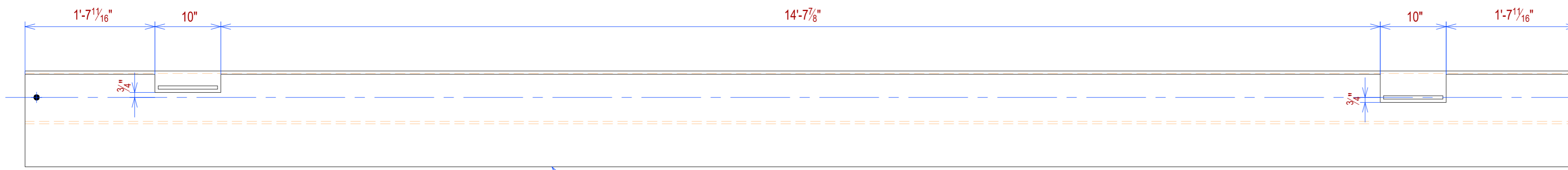
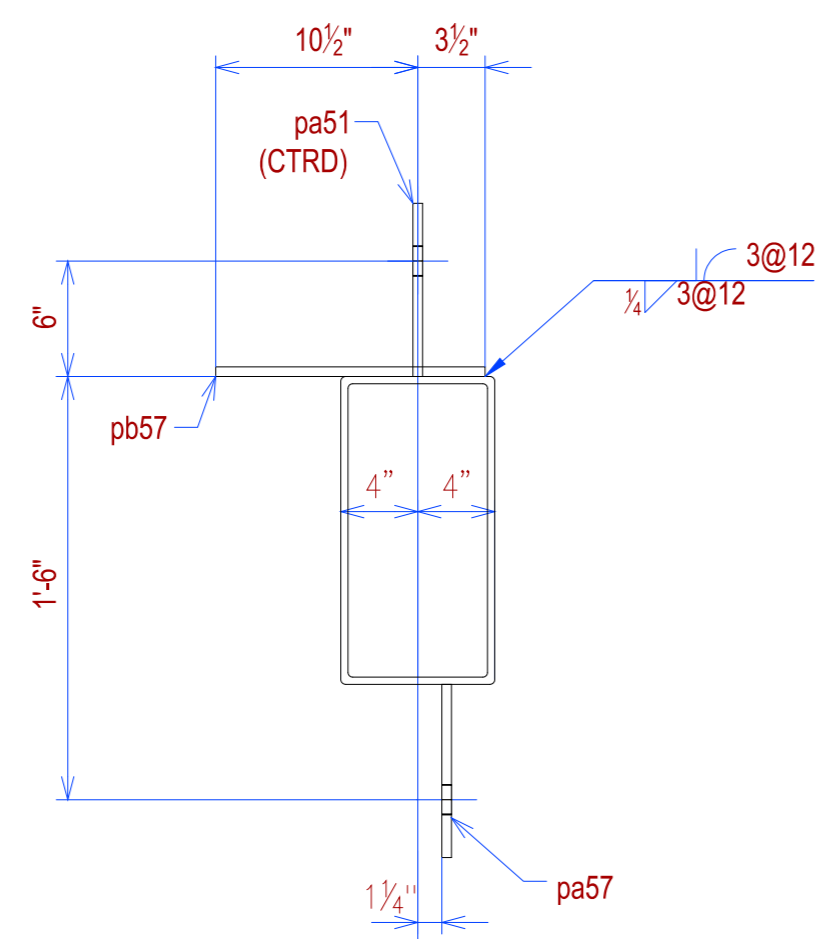


### BILL OF MATERIAL

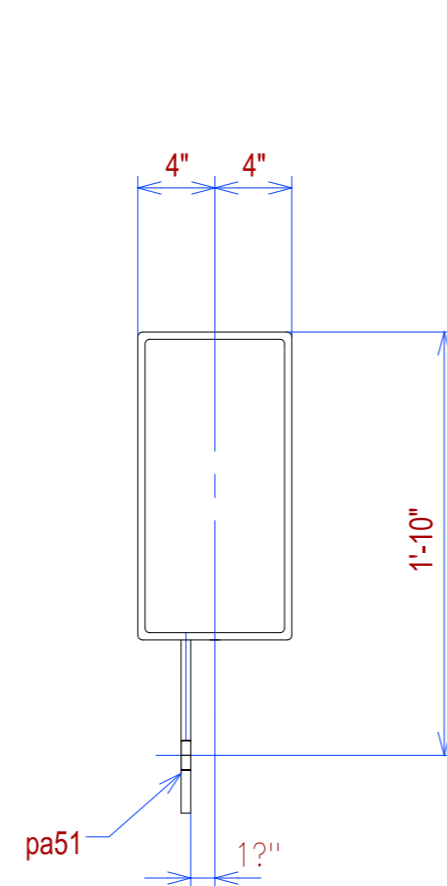
REQ'D	SHIP MARK	PIECE MARK	NO. REQ'D	MATERIAL	LENGTH		REMARKS	ORD.
					FT	IN		
ONE	57B1		1	HSS 12x8x $\frac{3}{8}$	19	7 $\frac{5}{16}$	A500 B	
		pa51	2	PL $\frac{1}{2}$ x9	0	9		
		pa57	2	PL $\frac{1}{2}$ x10	0	10		
		pb57	1	PL $\frac{1}{2}$ x14	19	7 $\frac{5}{16}$	GALV.	
ONE	57B2		1	HSS 16x8x $\frac{5}{16}$	20	7	A500 B	
		pa51	2	PL $\frac{1}{2}$ x9	0	9		
		pb12	2	PL $\frac{1}{2}$ x16	1	4		



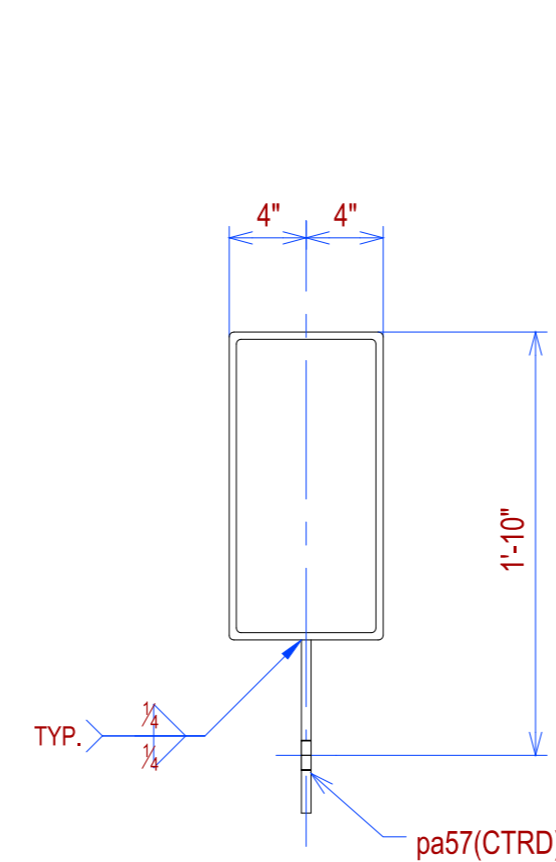
SECTION 1



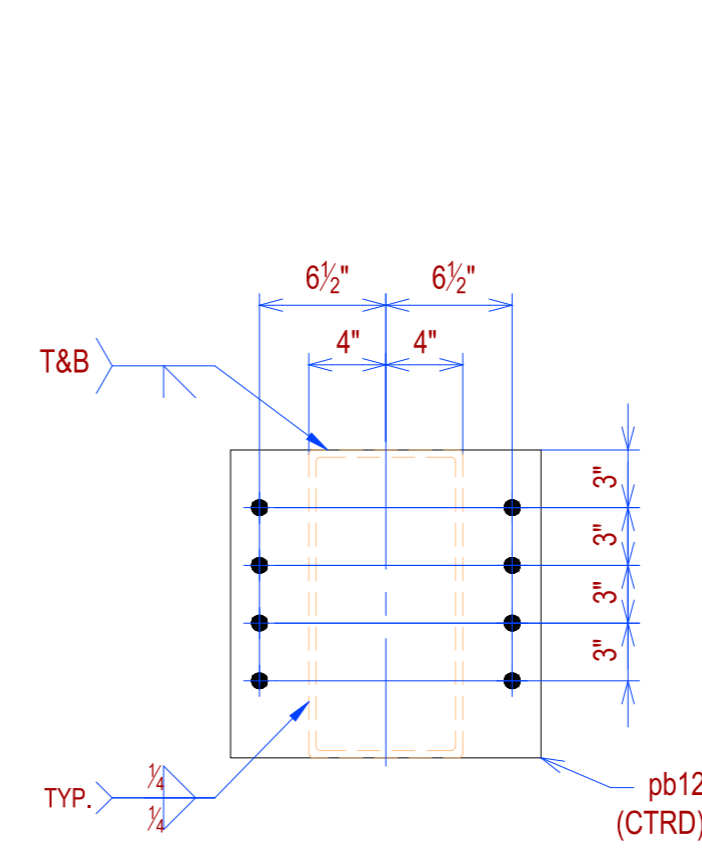
SECTION 2



SECTION 3



SECTION 4



VIEW 5

<b>FIELD BOLTS</b>							
18 - 3/4" Ø A325N x 2							
<b>PAINT</b>		ONE SHOP COAT UNNOTED				FOR FAB.	
<b>MATERIAL</b>		A36 UNNOTED				4th APPVL	
<b>HOLES</b>		13/16 UNNOTED				3rd APPVL	
<b>ELECTRODES</b>		E70XX				2nd APPVL	
<b>TOTAL WEIGHT</b>		NO. DATE	DESCRIPTION	NO. DATE	DESCRIPTION	1st APPVL	
SC	BC	BCSC	REVISIONS			DATE	ISSUE
CUSTOMER:							
<b>DRAFTER</b>		<b>PROJECT:</b>				<b>CONTRACT NO.</b>	
<b>DATE</b>		<b>LOCATION:</b>				<b>DWG NO.</b>	
<b>CHECKED</b>		<b>DWG TITLE:</b> BEAMS					
<b>DATE</b>							