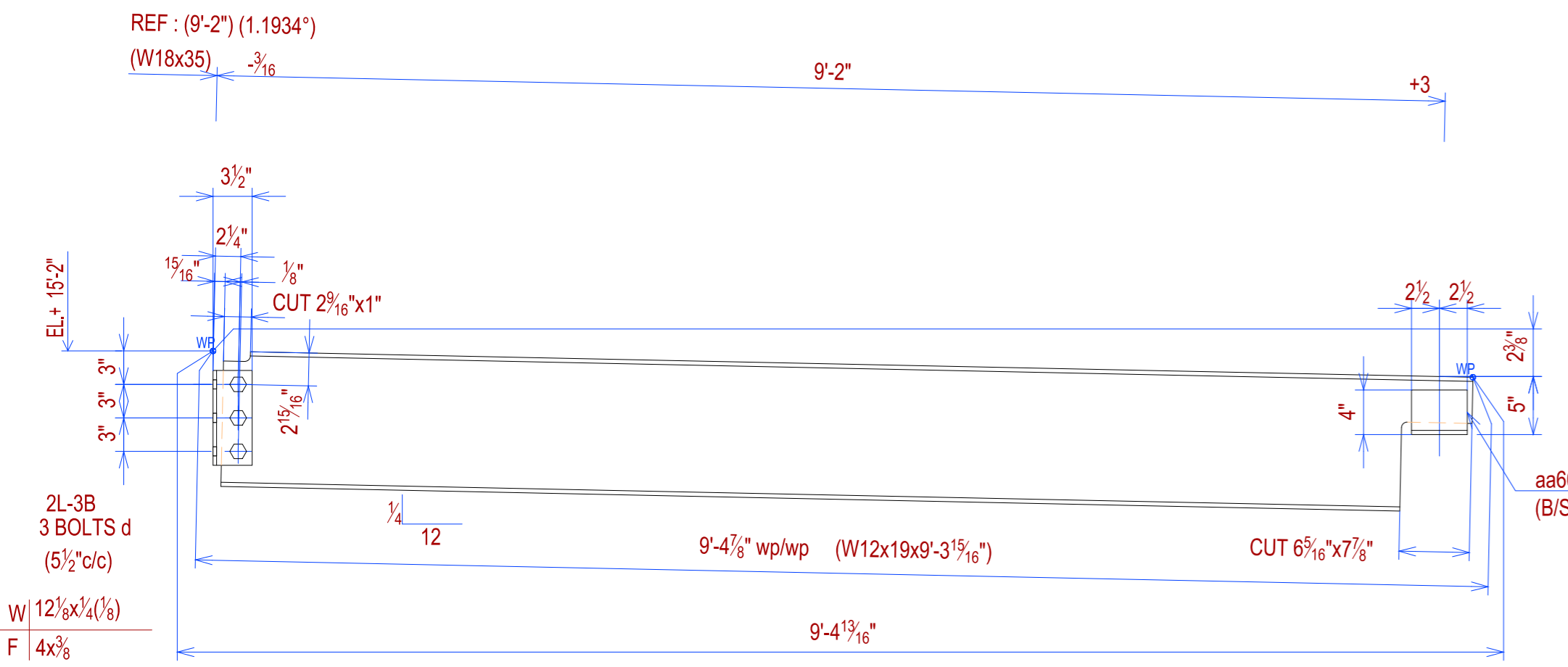
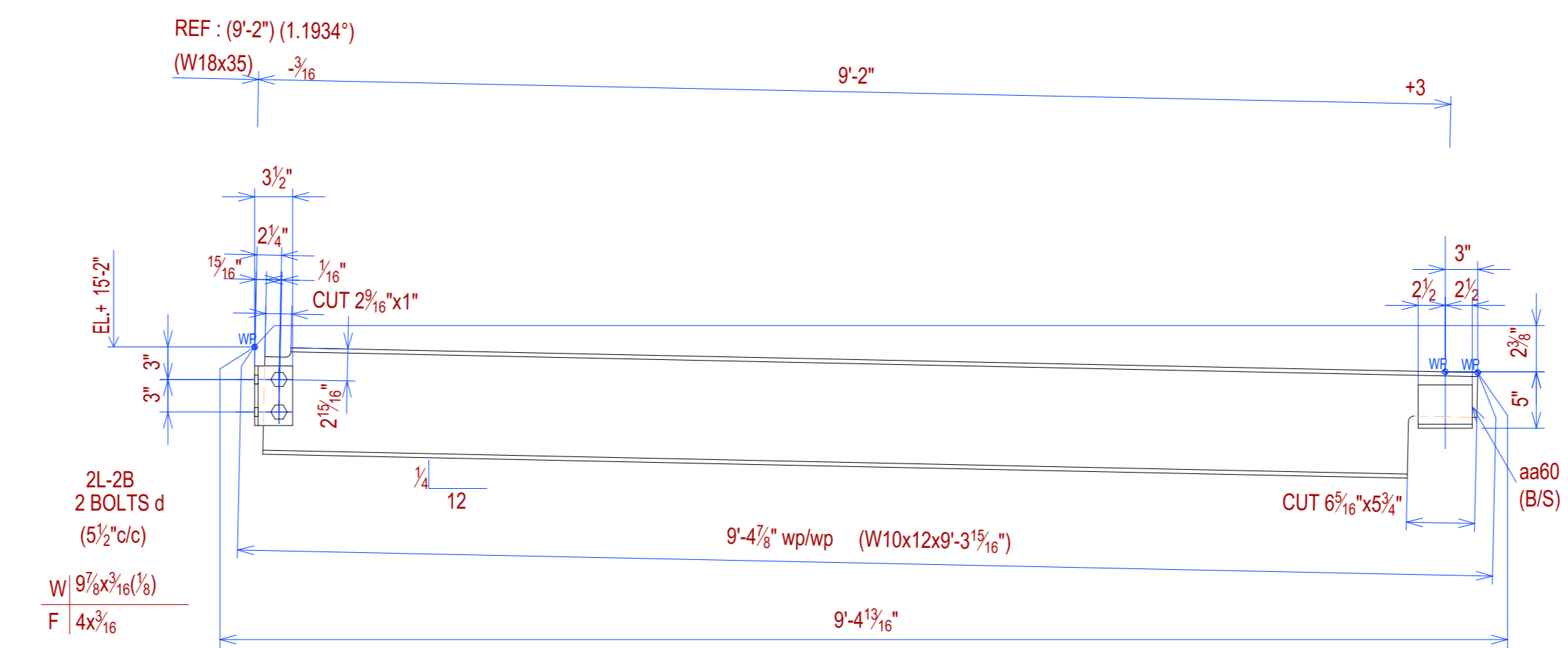


### BILL OF MATERIAL

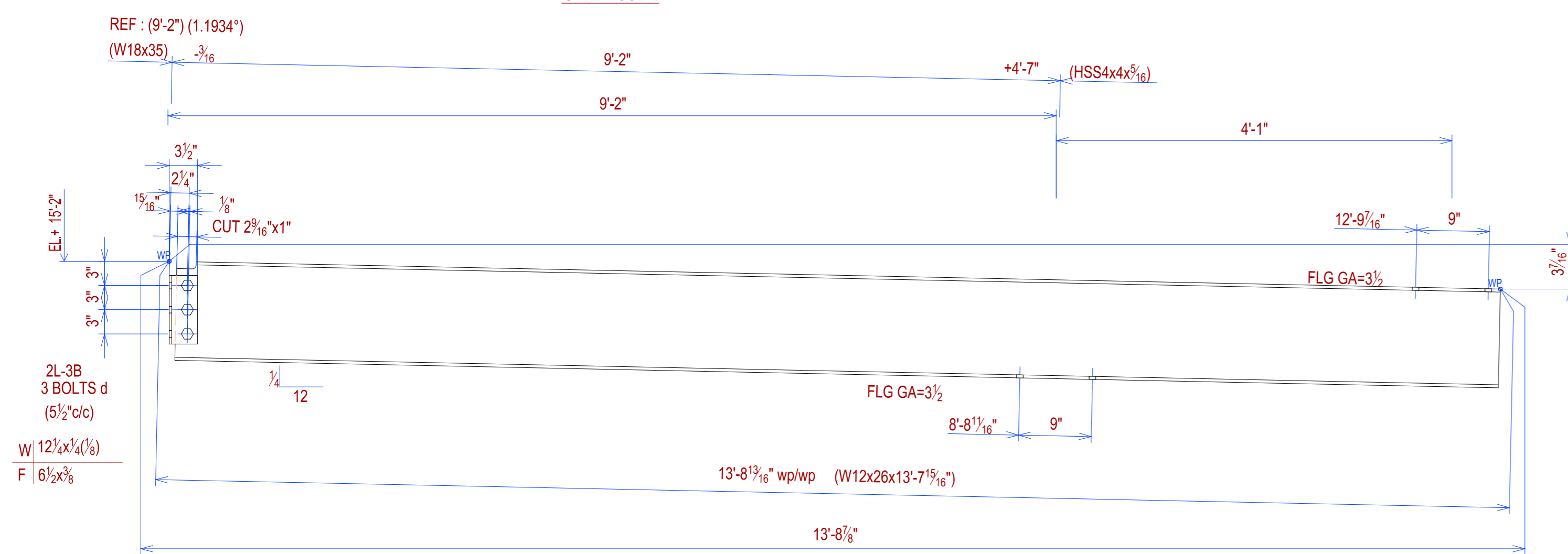
REQ'D	SHIP MARK	PIECE MARK	NO. REQ'D	MATERIAL	LENGTH		REMARKS	ORD.
					FT	IN		
ONE	60B1		1	W12x19 (A992)	9	3 1/16		
		aa60	2	L4x4x3/8	0	5		
		3B	2					
		d	3					
6	60B2		6	W10x12 (A992)	9	3 1/16		
		aa60	12	L4x4x3/8	0	5		
		2B	12					
		d	12					
3	60B3		3	W12x26 (A992)	13	7 1/16		
		3B	6					
		d	9					
ONE	60B4		7	W10x12 (A992)	9	0 1/16		
		aa60	14	L4x4x3/8	0	5		
		2B	2					
		d	2					
6	60B5		6	HSS6x6x1/4	11	9 1/2	GALV.	
		pa60	12	PL 1/2x6	0	6		
ONE	60B6		1	W12x26 (A992)	13	7 1/16		
		3B	2					
		d	3					



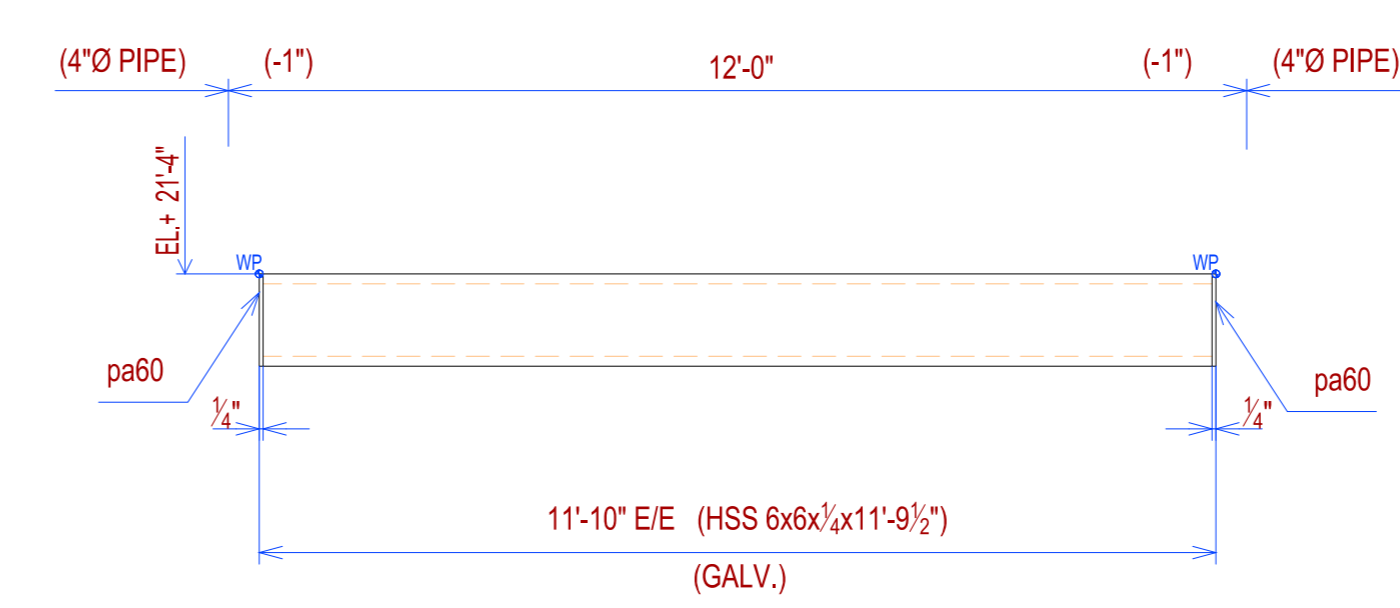
ONE - 60B1



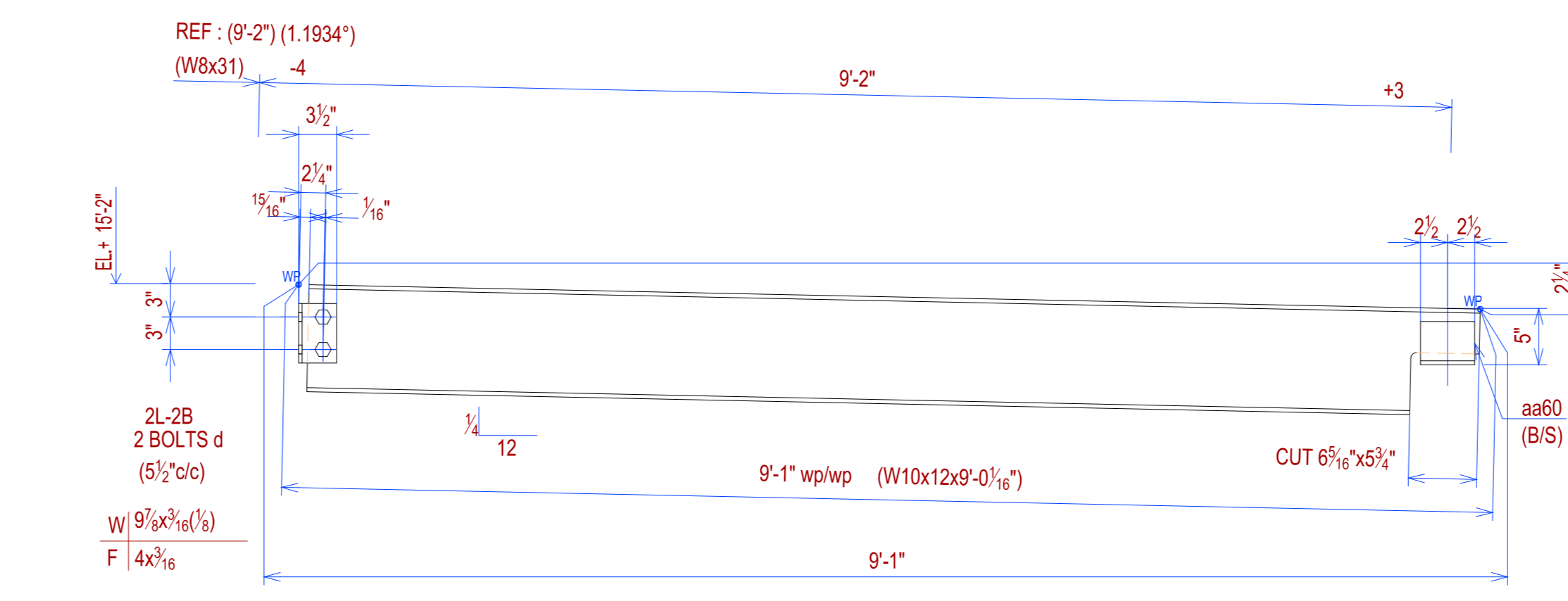
6 - 60B2



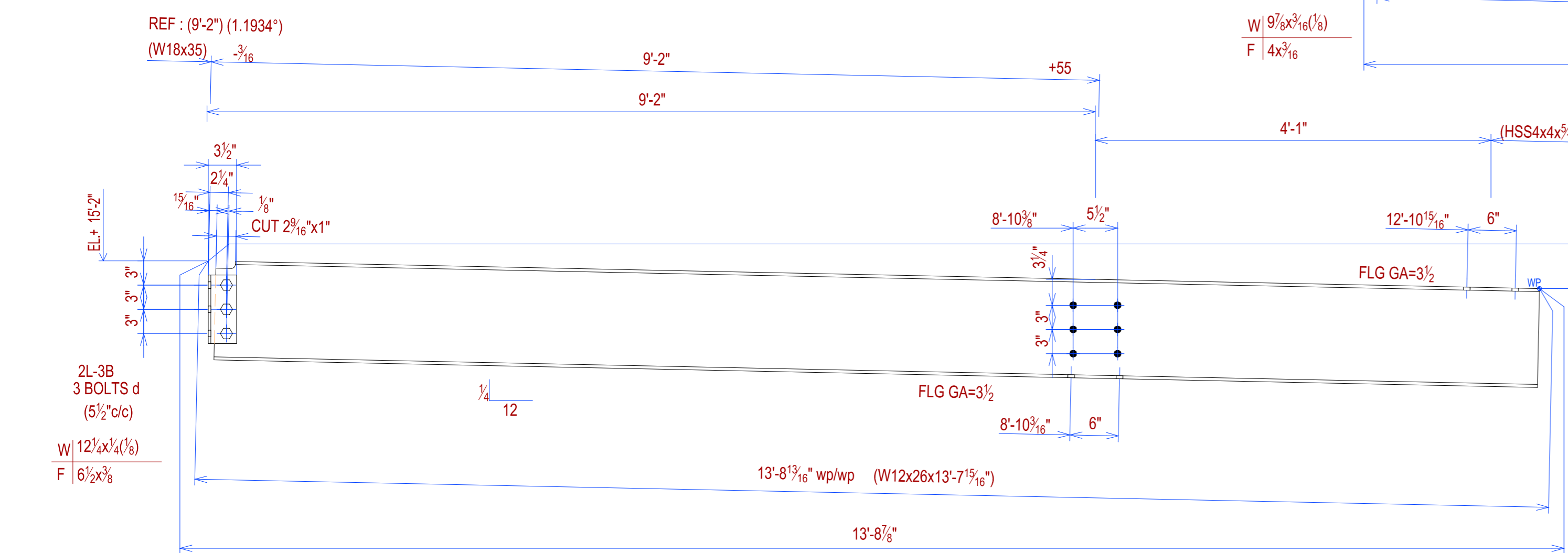
3 - 60B3



6 - 60B5



ONE - 60B4



ONE - 60B6

FIELD BOLTS		24 - 3/4" Ø A325N x 2							
PAINT		ONE SHOP COAT UNNOTED						FOR FAB.	
MATERIAL		A36 UNNOTED						4th APPVL	
HOLES		13/16 UNNOTED						3rd APPVL	
ELECTRODES		E70XX						2nd APPVL	
TOTAL WEIGHT		NO DATE	DESCRIPTION	NO DATE	DESCRIPTION			1st APPVL	
SC	BC	BCSC	REVISIONS			DATE	ISSUE		
CUSTOMER:									
DRAFTER		PROJECT:						CONTRACT NO	
DATE		LOCATION:						DWG NO	
CHECKED		DWG TITLE: BEAMS							
DATE									