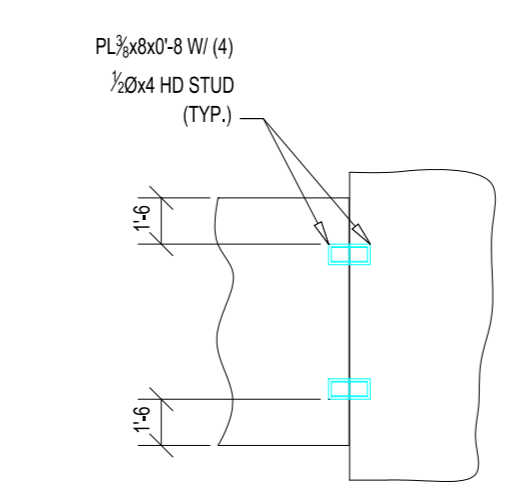
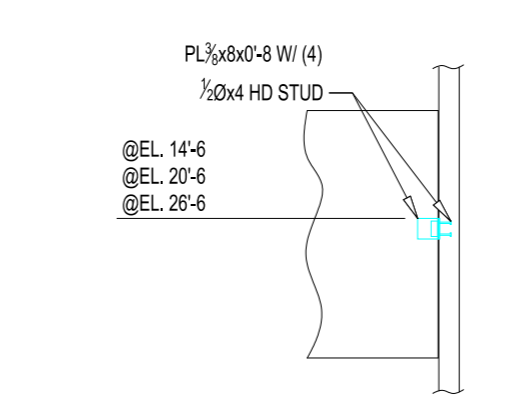


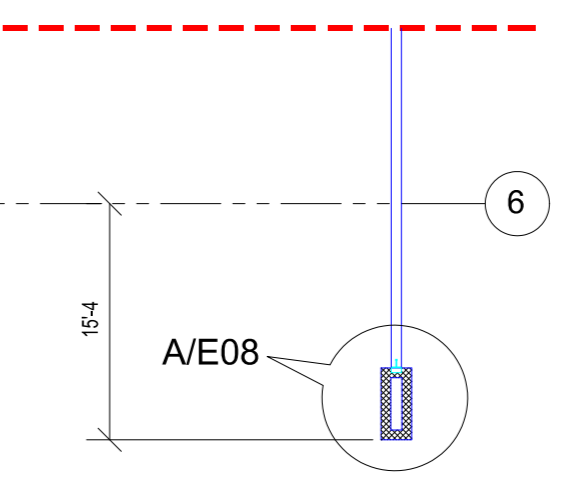
DETAIL - C
REF. 8A/S-1.4
FOR PANELS 115 & 119
BF5W REQD. NOS. - 8



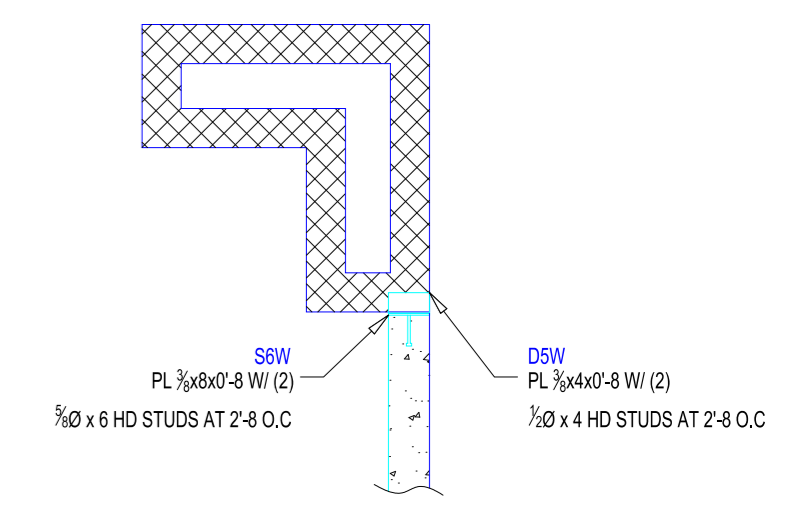
DETAIL - D
REF. 8B/S-1.4
FOR PANELS 117 & 118
BF5W REQD. NOS. - 8



DETAIL - E
REF. 8C/S-1.4
FOR PANELS 107, 109, 110, 114
BF5W REQD. NOS. - 48

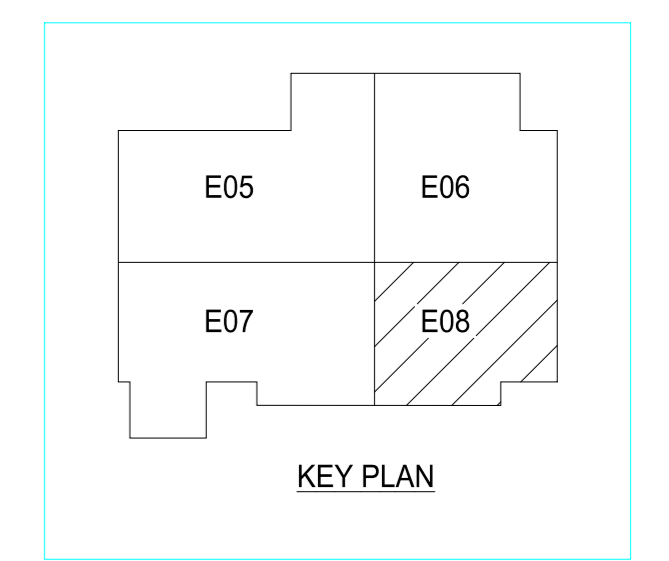


DETAIL - A
REF. 13/S-1.1

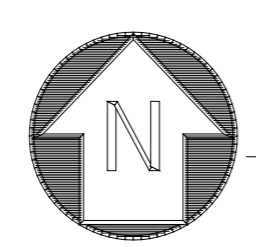


DETAIL - B
REF. 13/S-1.1

FIELD NOTE :
EMBED PLACEMENTS ARE FOR REFERENCE ONLY.
FINAL PLACEMENT TO BE FIELD VERIFIED.



NOTE :
1. REF. DWG NO. S-1.0, S-1.0, S-1.2, S-1.3, S-1.4
2. ALL ELEVATIONS ARE TO CENTERLINE OF EMBED.



EMBED PLAN@FND LEVEL

NOTICE TO ERECTOR

CONTRACT NO.			
REV. NO.	DATE	REMARKS	BY
0	09-22-06	ISSUED FOR APPROVAL	
JOB:		DRAWN BY	CHECKED BY
LOCATION:		AB	PMU
CONTRACTOR		CODE	DRAWING NUMBER
			E08